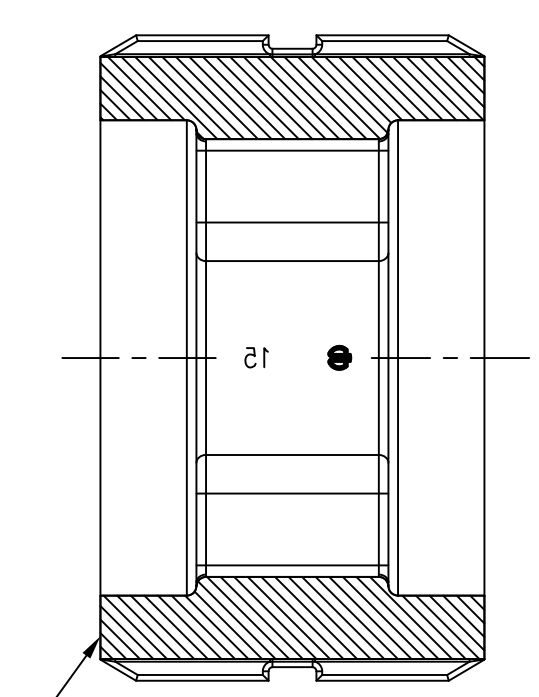
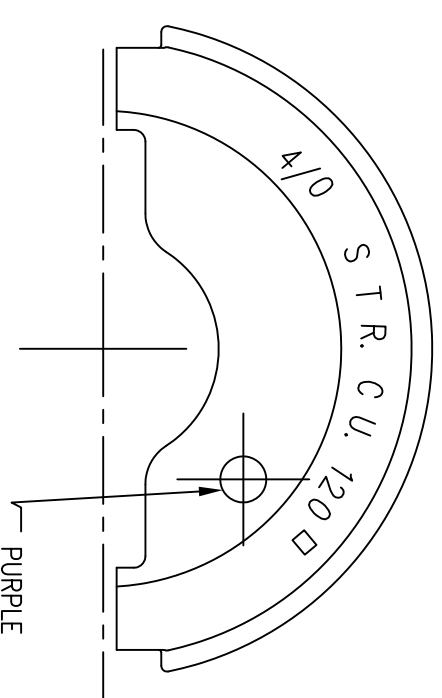
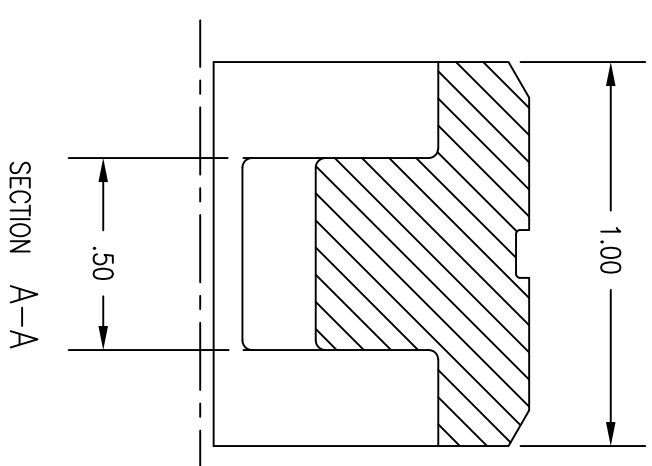
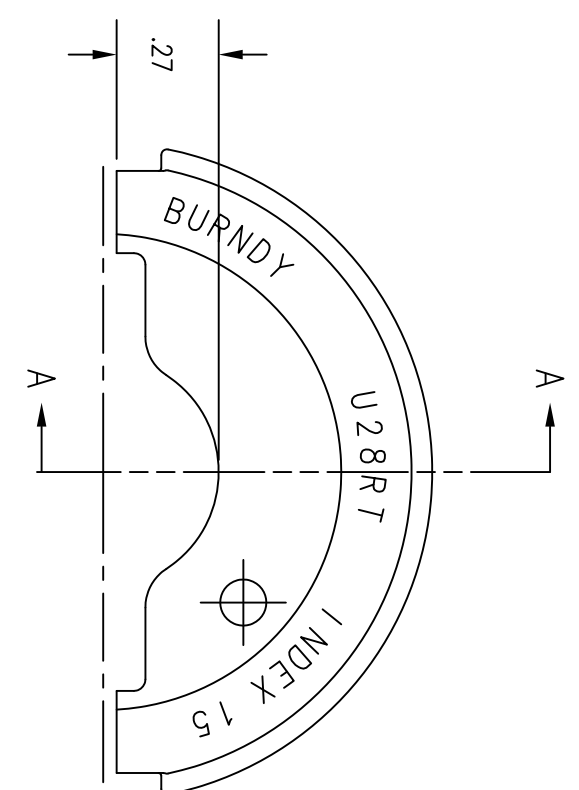


CATALOG NUMBER	DESCRIPTION
HU28RT	4/0 AWG, 15 INDEX DIE SET



- NOTES:
1. MATERIAL: STAINLESS STEEL.
 2. SPECIFICATIONS SUBJECT TO CHANGE WITHOUT NOTICE.

Created on AUTOCAD		DIMENSIONING AND TOLERANCE PER ANSI Y14.5M-1982 UNLESS OTHERWISE SPECIFIED, DIMENSIONS ARE IN INCHES (MM). TOLERANCES .XX = ±.01 (.25) .XXX = ±.005 (.127) .XXXX = ±.0025 (.0635) ANGLE TOL ±1°		PROJECT REFERENCE: 2011-041		HUBBELL Hubbell Premise Wiring HUBBELL INCORPORATED (Delaware) 23 CLARA DRIVE, SUITE 103 MYSTIC, CT 06355	
IN ACCEPTING OUR DRAWINGS, BLUPRINTS, OR SUPPORTING DOCUMENTATION FOR QUOTATION OR OTHER PURPOSES, YOU AGREE NOT TO DISCLOSE TO OTHERS THE IDEAS, INFORMATION, OR DESIGNS SHOWN HEREIN, AND THAT YOU WILL MAKE NO USE OF SAME WITHOUT PERMISSION		MATERIAL: SEE NOTES		DRAWN BY: M. ABBY 01/23/13		TITLE: DIE SET, 4/0 AWG, 15 INDEX U DIE SET FAMILY	
APPROVED BY:		CHECKED BY:		SIZE DRAWING NO. C HW514227C		REV. 1	
18075 01/25/13		INITIAL RELEASE		MMA		CHG BY	
18075 01/25/13		INITIAL RELEASE		MMA		APPD BY	
REV.	ECN	DATE	DESCRIPTION	CHG BY	APPD BY		